

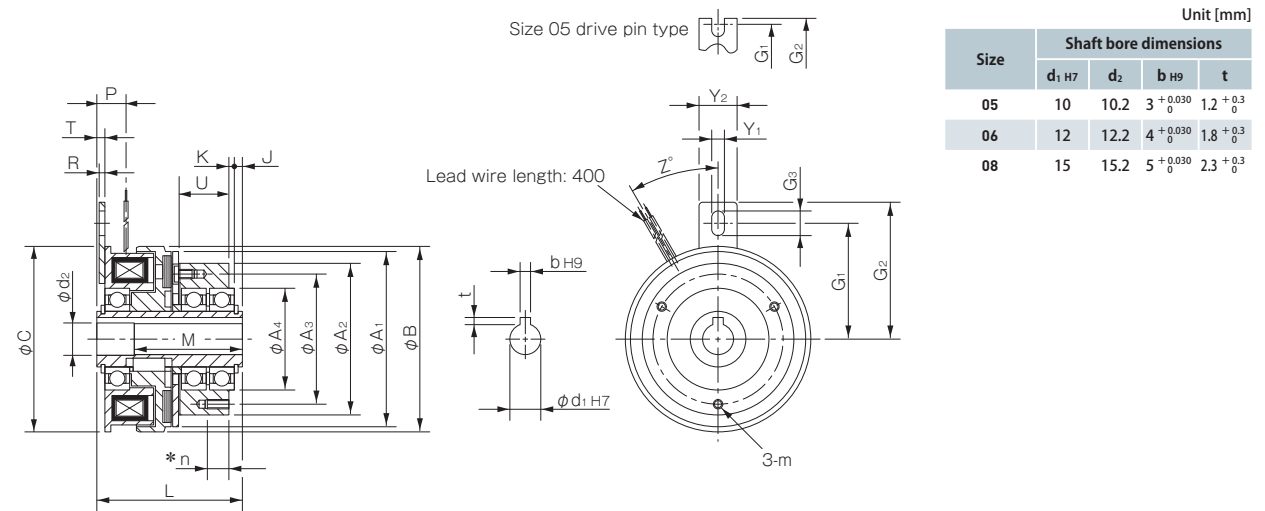
# CSZ Models Electromagnetic Clutches - One-touch-mounted Type

## Specifications

Model	Size	Dynamic friction torque T <sub>d</sub> [N·m]	Static friction torque T <sub>s</sub> [N·m]	Coil (at 20°C)				Heat resistance class	Lead wire		Max. rotation speed [min <sup>-1</sup> ]	Rotating part moment of inertia		Total work performed readjustment of the air gap E <sub>T</sub> [J]	Armature pull-in time t <sub>a</sub> [s]	Torque build-up time t <sub>p</sub> [s]	Torque decaying time t <sub>d</sub> [s]	Bearing used	Mass [kg]
				Voltage [V]	Wattage [W]	Current [A]	Resistance [Ω]		UL style	Size		Rotor [kg·m <sup>2</sup> ]	Armature [kg·m <sup>2</sup> ]						
CSZ-05-35	05	2.4	2.4	DC24	10	0.42	57	B	UL3398	AWG22	1800	2.87 × 10 <sup>-5</sup>	2.43 × 10 <sup>-5</sup>	9 × 10 <sup>6</sup>	0.017	0.035	0.023	6902ZZ	0.38
CSZ-06-35	06	5	5.5	DC24	11	0.46	52	B	UL3398	AWG22	1800	8.94 × 10 <sup>-5</sup>	7.57 × 10 <sup>-5</sup>	29 × 10 <sup>6</sup>	0.023	0.050	0.010	6904ZZ	0.67
CSZ-08-35	08	10	11	DC24	15	0.63	38	B	UL3398	AWG18	1800	2.41 × 10 <sup>-4</sup>	2.08 × 10 <sup>-4</sup>	60 × 10 <sup>6</sup>	0.025	0.064	0.020	6906ZZ	1.23

\* The dynamic friction torque, T<sub>d</sub>, is measured at a relative speed of 100 min<sup>-1</sup>.

## Dimensions



Size	Radial direction dimensions											Axial direction dimensions										
	A <sub>1</sub>	A <sub>2</sub>	A <sub>3</sub>	A <sub>4</sub>	B	C	G <sub>1</sub>	G <sub>2</sub>	G <sub>3</sub>	Y <sub>1</sub>	Y <sub>2</sub>	J	K	L	M	P	R	T	U	Z	m	n*
05	50	47	38	28 <sup>0</sup> <sub>-0.009</sub>	54	50	28	31	—	3.1	8	2.1	2	47.2	33	7.9	1.6	1.9	14	180	M4	6
06	63	55	46	37 <sup>0</sup> <sub>-0.011</sub>	67.5	67.5	42.5	50	9.5	4.5	14	2.5	2.3	53.5	40	9.8	2	2.5	18	30	M4	6
08	80	70	60	47 <sup>0</sup> <sub>-0.011</sub>	85	85	57.5	65	11.5	6.5	16	3	2.5	58	43	11.5	2	3	18.5	30	M4	8

\* For bolts mounted on clutch hubs marked with an asterisk, select a length no greater than the n dimension.

**How to Place an Order**

**CSZ-05-35**  
Size