

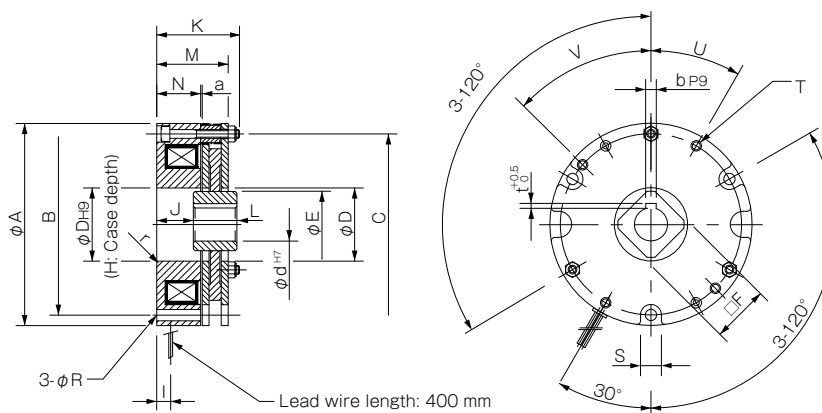
BXH Safety brakes - Datasheet

Specifications

Model	Size	Static friction torque T_s [N·m]	Coil [at 20 °C]				Heat resistance class	Lead wire		Max. rotation speed [min ⁻¹]	Rotating part moment of inertia J [kg·m ²]	Allowable braking energy rate $E_{ba\ell}$ [J]	Total braking energy E_t [J]	Armature pull-in time t_a [s]	Armature release time t_{ar} [s]	Mass [kg]
			Voltage [V]	Wattage [W]	Current [A]	Resistance [Ω]		UL style	Size							
BXH-06-10	06	4	DC24	15	0.63	38.4	F	UL3398	AWG22	5000	3.25×10^{-5}	700	2.0×10^6	0.040	0.020	0.9
			DC45	12	0.27	169										
			DC90	12	0.13	677										
BXH-08-10	08	8	DC24	22.5	0.94	25.6	F	UL3398	AWG18	5000	5.75×10^{-5}	1100	3.5×10^6	0.045	0.020	1.3
			DC45	19	0.41	110										
			DC90	19	0.21	440										
BXH-10-10	10	16	DC24	28	1.14	21.1	F	UL3398	AWG18	4000	1.30×10^{-4}	1300	6.2×10^6	0.070	0.025	2.3
			DC45	25	0.54	83										
			DC90	25	0.27	331										
BXH-12-10	12	32	DC24	35	1.46	16.5	F	UL3398	AWG18	3600	3.20×10^{-4}	1600	9.0×10^6	0.090	0.025	3.4
			DC90	30	0.33	271										
BXH-16-10	16	44	DC24	39	1.64	14.6	F	UL3398	AWG18	3000	6.93×10^{-4}	2200	11.4×10^6	0.125	0.030	5.4
			DC90	39	0.43	207										

* The armature pull-in time and armature release time are taken during DC switching.

Dimensions



Size	A	B	C	D	r	E	F	H	I	J	K	L	M	N	R	S	T	U	V	a	d	b	t
06	83	73	73	28	R1	26.5	22	3	10	20.5	39.5	14	33.6	20	4.5	9	2-M5	30°	—	0.15	11	4	1.5
08	96	86	86	35	R1	32	25	3	12	20	41	17	35	20.8	5.5	10.5	2-M5	30°	—	0.15	14	5	2
10	116	104	104	42	R1	38	30	3	9.5	21	47.5	25	41	25.3	6.5	12.5	2-M6	30°	—	0.2	19	6	2.5
12	138	124	124	50	R1	45	35	4	12	19	49.8	30	43.5	23.3	6.5	12.5	2-M6	30°	45°	0.2	24	8	3
16	158	142	143	59	R1	55	45	4	14	22.5	57.5	35	51	27.7	9	15.5	2-M8	40°	40°	0.25	28	8	3

Unit [mm]

How to Place an Order

BXH-06-10G 24V 11DIN

Size ————
 Option number ————
 10: Standard
 Bore diameter (dimensional symbol d) ————
 Voltage (Specifications table) ————

* Further bore diameters and voltages possible on request.

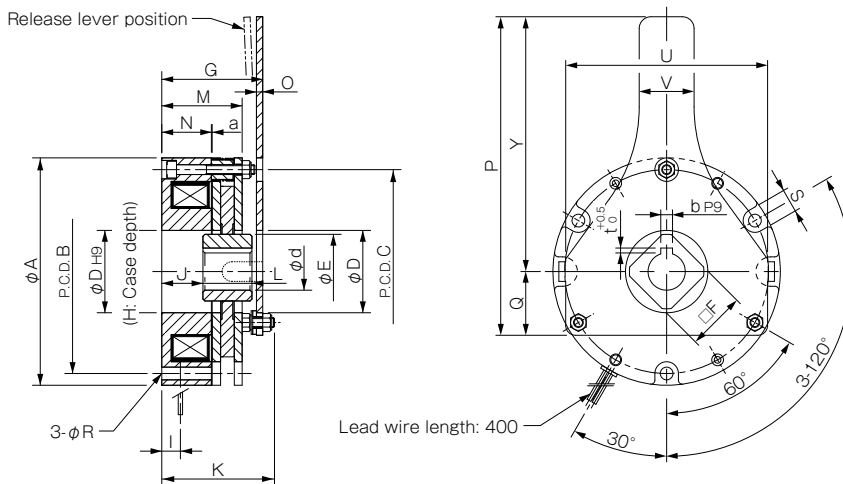
Options

Made to Order

Release Lever

Option No.: 12

We also offer an option with a manual release lever. See the dimensions table below for the dimensions of brakes with release levers. Please contact Miki Pulley for other specification values.



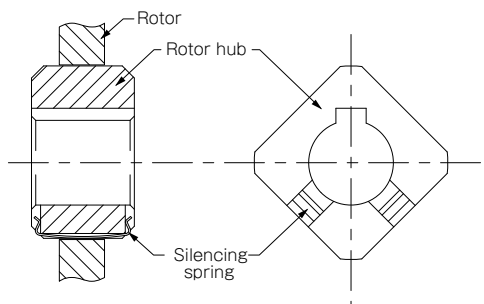
Model	A	B	C	D	E	F	G	H	I	J	K	L	M	N	R	Y	U	V	S	a	d	b	t
BXH-06-12	83	73	73	28	26.5	22	42.8	3	10	20.5	49.5	14	33.7	20	4.5	81	73	20	9	0.15	11	4	1.5
BXH-08-12	96	86	86	35	32	25	45.4	3	12	20	56	17	35.3	20.8	5.5	95	85	20	10.5	0.2	14	5	2
BXH-10-12	116	104	104	42	38	30	53.9	3	9.5	21	63	25	42.2	25.3	6.5	130	103	28	12.5	0.25	19	6	2.5
BXH-12-12	138	124	124	50	45	35	58.9	4	12	19	70	30	45.4	23.3	6.5	160	121	36	12.5	0.25	24	8	3
BXH-16-12	158	142	143	59	55	45	66.5	4	14	22.5	72.5	35	53.3	27.7	9	186	140	36	15.5	0.25	28	8	3

Unit (mm)

Quiet Mechanism (Silencing Spring)

Option No.: S1

There is an extremely small structural backlash (see figure on the right) between the rotor and the rotor hub. In applications that are prone to microvibrations of the drive shaft such as single-phase motors, this backlash may produce rattling (banging). The silencing spring for the rotor hub reduces this rattling.



List of Option Numbers

Description of options	No quiet mechanism	Silencing spring
No release lever	10	10S1
With release lever	12	12S1

* Option 10 uses standard specifications.

BXH-06-12S1G 24V 11DIN

