

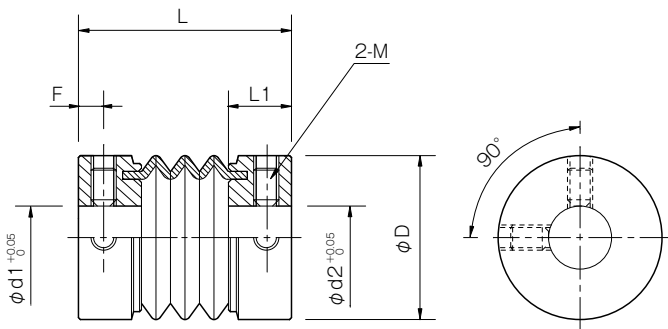
BELLOWFLEX CHP - Datasheet

Specifications

Model	Torque		Misalignment			Max. rotation speed [min ⁻¹]	Static torsional stiffness [N-m/rad]	Moment of inertia [kg-m ²]	Mass [kg]
	Nominal [N-m]	Max. [N-m]	Parallel [mm]	Angular [°]	Axial [mm]				
CHP-20	0.4	0.8	0.5	10	± 0.5	9000	6.1	6.30 × 10 ⁻⁷	0.012
CHP-26	0.7	1.4	0.5	10	± 0.5	7000	8.5	2.40 × 10 ⁻⁶	0.026
CHP-34	1.5	3.0	0.5	10	± 0.5	5500	19.7	7.90 × 10 ⁻⁶	0.051

• Static torsional stiffness values given are from measurements taken at 20 °C.
 • The moment of inertia and mass are specified for the minimum bore diameter.

Dimensions



Model	d1 - d2		D	L	L1	F	M	Unit [mm]
	Min.	Max.						
CHP-20	3	8	20	28	8	3	M3	
CHP-26	6	13	26	34	10	4	M4	
CHP-34	8	18	34	40	12	5	M5	

• CHP-20 with a bore of 3 mm has a set screw angle of 120°.

Model	Standard bore diameter d1-d2 [mm]					
	3-3	5-5	6-6	8-8	10-10	12-12
CHP-20	●	●	●			
CHP-26			●	●	●	
CHP-34				●	●	●

• The recommended processing tolerance for paired mounting shafts is the h8 class.
 • Further bore diameters possible on request.

How to Place an Order

CHP-26 8-8

Size Bore diameter d1 - d2
 Material: Hub - Aluminum, Bellow - Polyester resin