

CSZ - Datasheet

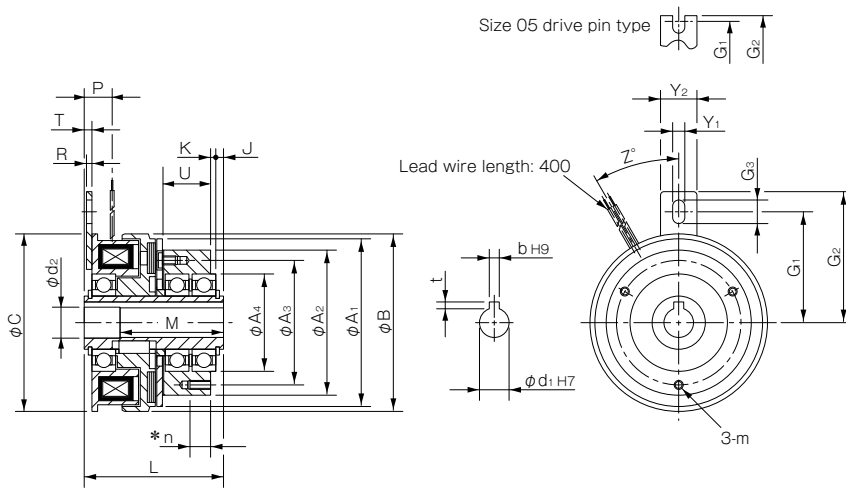
ONE-TOUCH-MOUNTED TYPE

Specifications

Model	Size	Dynamic friction torque T_d [N·m]	Static friction torque T_s [N·m]	Coil [at 20 °C]				Heat resistance class	Lead wire		Max. rotation speed [min ⁻¹]	Rotating part moment of inertia		Total work performed until readjustment of the air gap E_r [J]	Armature pull-in time t_a [s]	Torque build-up time t_p [s]	Torque decrease time t_d [s]	Bearing used	Mass [kg]
				Voltage [V]	Wattage [W]	Current [A]	Resistance [Ω]		UL style	Size		Rotor [kg·m ²]	Armature [kg·m ²]						
CSZ-05-35	05	2.4	2.4	DC24	10	0.42	57	B	UL3398	AWG22	1800	2.87×10^{-5}	2.43×10^{-5}	9×10^6	0.017	0.035	0.023	6902ZZ	0.38
CSZ-06-35	06	5	5.5	DC24	11	0.46	52	B	UL3398	AWG22	1800	8.94×10^{-5}	7.57×10^{-5}	29×10^6	0.023	0.050	0.010	6904ZZ	0.67
CSZ-08-35	08	10	11	DC24	15	0.63	38	B	UL3398	AWG18	1800	2.41×10^{-4}	2.08×10^{-4}	60×10^6	0.025	0.064	0.020	6906ZZ	1.23

* The dynamic friction torque, T_d , is measured at a relative speed of 100 min⁻¹.

Dimensions



Size	Shaft bore dimensions			
	d1 H7	d2	b H9	t
05	10	10.2	3 ^{+0.030} / ₀	1.2 ^{+0.3} / ₀
06	12	12.2	4 ^{+0.030} / ₀	1.8 ^{+0.3} / ₀
08	15	15.2	5 ^{+0.030} / ₀	2.3 ^{+0.3} / ₀

Size	Radial direction dimensions											Axial direction dimensions										
	A1	A2	A3	A4	B	C	G1	G2	G3	Y1	Y2	J	K	L	M	P	R	T	U	Z	m	n
05	50	47	38	28 ⁰ / _{-0.009}	54	50	28	31	—	3.1	8	2.1	2	47.2	33	7.9	1.6	1.9	14	180	M4	6
06	63	55	46	37 ⁰ / _{-0.011}	67.5	67.5	42.5	50	9.5	4.5	14	2.5	2.3	53.5	40	9.8	2	2.5	18	30	M4	6
08	80	70	60	47 ⁰ / _{-0.011}	85	85	57.5	65	11.5	6.5	16	3	2.5	58	43	11.5	2	3	18.5	30	M4	8

Unit [mm]

How to Place an Order

CSZ-05-35

Size