

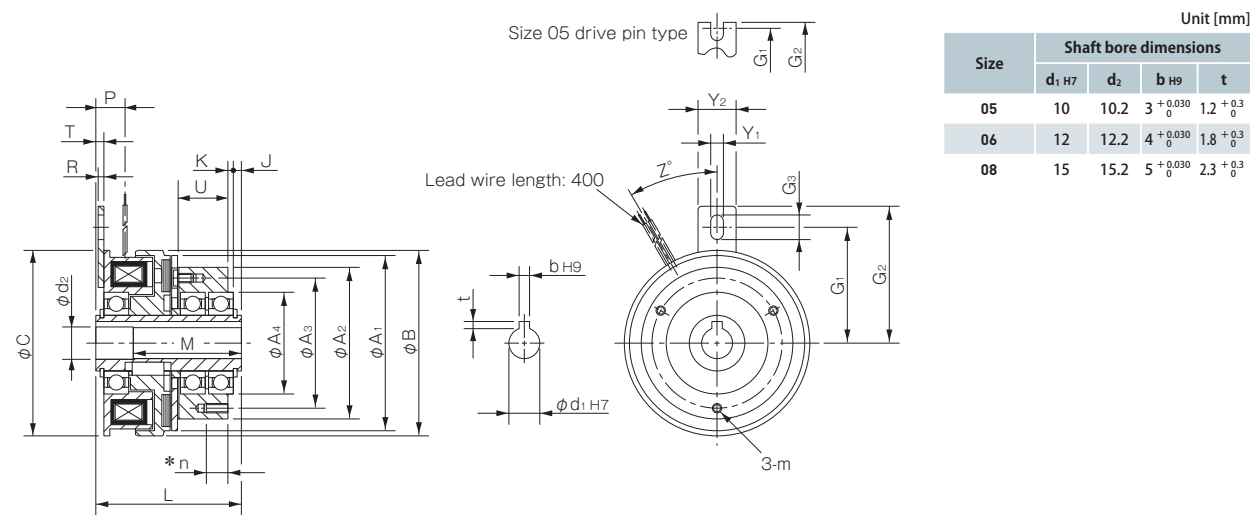
CSZ Models Electromagnetic Clutches - One-touch-mounted Type

Specifications

Model	Size	Dynamic friction torque T _d [N·m]	Static friction torque T _s [N·m]	Coil (at 20°C)				Heat resistance class	Lead wire		Max. rotation speed [min ⁻¹]	Rotating part moment of inertia		Total work performed readjustment of the air gap E _T [J]	Armature pull-in time t _a [s]	Torque build-up time t _p [s]	Torque decaying time t _d [s]	Bearing used	Mass [kg]
				Voltage [V]	Wattage [W]	Current [A]	Resistance [Ω]		UL style	Size		Rotor [kg·m ²]	Armature [kg·m ²]						
CSZ-05-35	05	2.4	2.4	DC24	10	0.42	57	B	UL3398	AWG22	1800	2.87 × 10 ⁻⁵	2.43 × 10 ⁻⁵	9 × 10 ⁶	0.017	0.035	0.023	6902ZZ	0.38
CSZ-06-35	06	5	5.5	DC24	11	0.46	52	B	UL3398	AWG22	1800	8.94 × 10 ⁻⁵	7.57 × 10 ⁻⁵	29 × 10 ⁶	0.023	0.050	0.010	6904ZZ	0.67
CSZ-08-35	08	10	11	DC24	15	0.63	38	B	UL3398	AWG18	1800	2.41 × 10 ⁻⁴	2.08 × 10 ⁻⁴	60 × 10 ⁶	0.025	0.064	0.020	6906ZZ	1.23

* The dynamic friction torque, T_d, is measured at a relative speed of 100 min⁻¹. Depending on the initial torque characteristics, break-in to condition the engaging surfaces may also be required.

Dimensions



Unit [mm]

Size	Radial direction dimensions											Axial direction dimensions										
	A ₁	A ₂	A ₃	A ₄	B	C	G ₁	G ₂	G ₃	Y ₁	Y ₂	J	K	L	M	P	R	T	U	Z	m	n*
05	50	47	38	28 ⁰ _{-0.009}	54	50	28	31	—	3.1	8	2.1	2	47.2	33	7.9	1.6	1.9	14	180	M4	6
06	63	55	46	37 ⁰ _{-0.011}	67.5	67.5	42.5	50	9.5	4.5	14	2.5	2.3	53.5	40	9.8	2	2.5	18	30	M4	6
08	80	70	60	47 ⁰ _{-0.011}	85	85	57.5	65	11.5	6.5	16	3	2.5	58	43	11.5	2	3	18.5	30	M4	8

* For bolts mounted on clutch hubs marked with an asterisk, select a length no greater than the n dimension.
 * For details on mounting method, see "Items Checked for Design Purposes".

How to Place an Order

CSZ-05-35
 Size